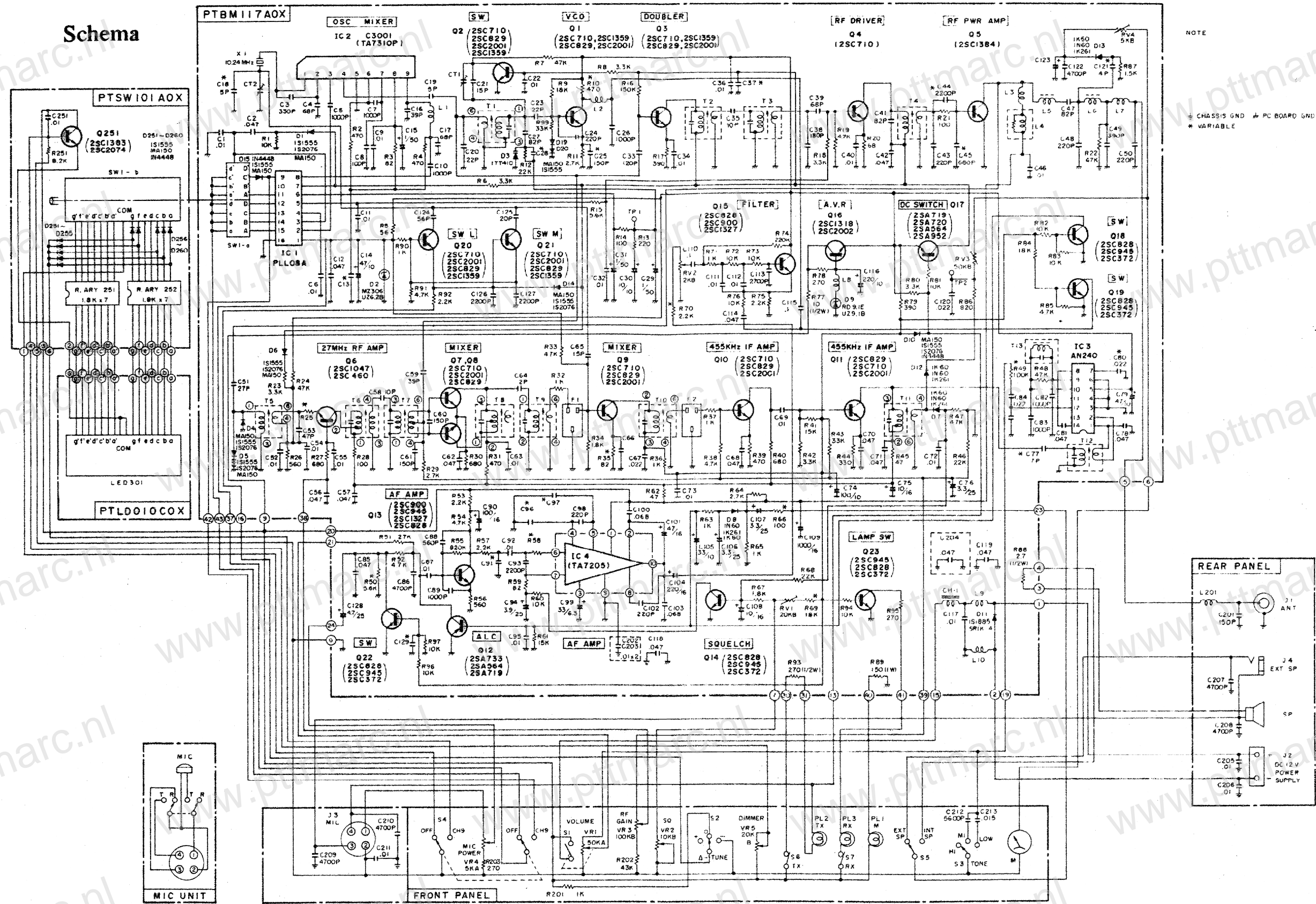
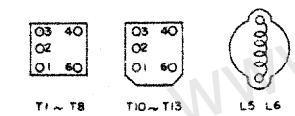


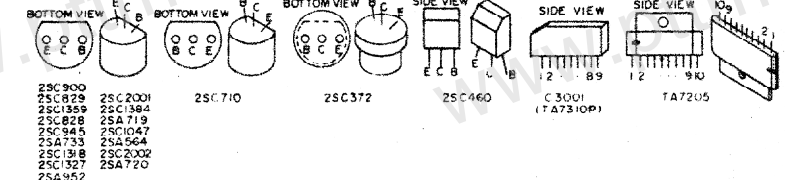
Schema



TRANSFORMER TERMINATION INFORMATION (BOTTOM VIEW)



TRANSISTOR BASE INFORMATION



E EMITTER C COLLECTOR B BASE

